

- Back**
- o PushPull Power
 - o Flat Cable Connectors SEK
 - o *har-mik®*
 - o D-Sub
 - o InduCom

- **Applications**

Product details

09 03 296 6824

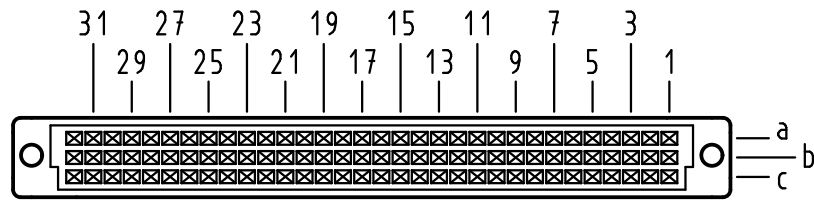
Backplane connector

Type	Type C
Standard/Inverse	Standard
Contact gender	Female contacts
Size	Whole size
Number of contacts	96 poles
Contact arrangement	Rows a, b and c
Termination	Straight solder pins
Termination length	2,9 mm
Performance Class	Performance level 2 as per IEC 60603-2
Contacts	with contacts
Board fixing	Without fixing
Coding facility	without coding facility
Current	2 A max.
Clearance/ Creepage	1.2 / 1.2 mm min.
RoHS compliant	Yes

Inquiry

Alle Rechte vorbehalten/ All rights reserved

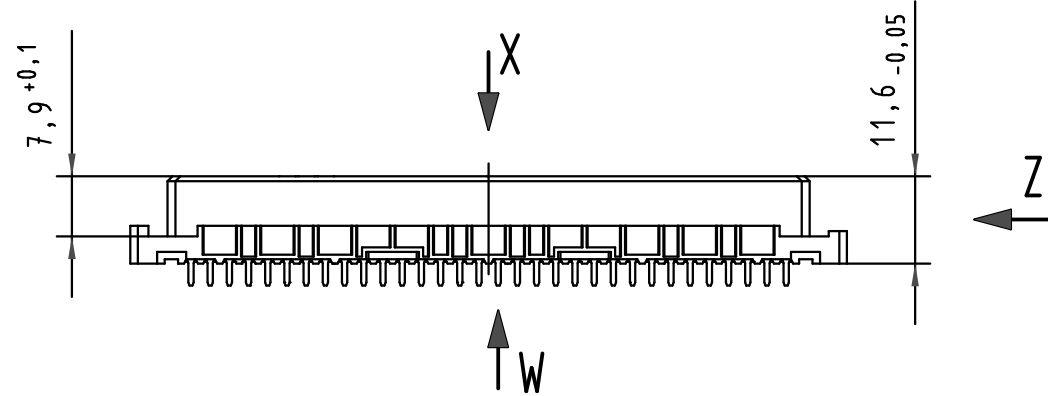
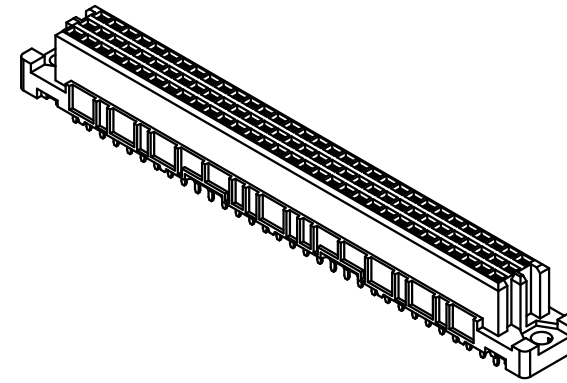
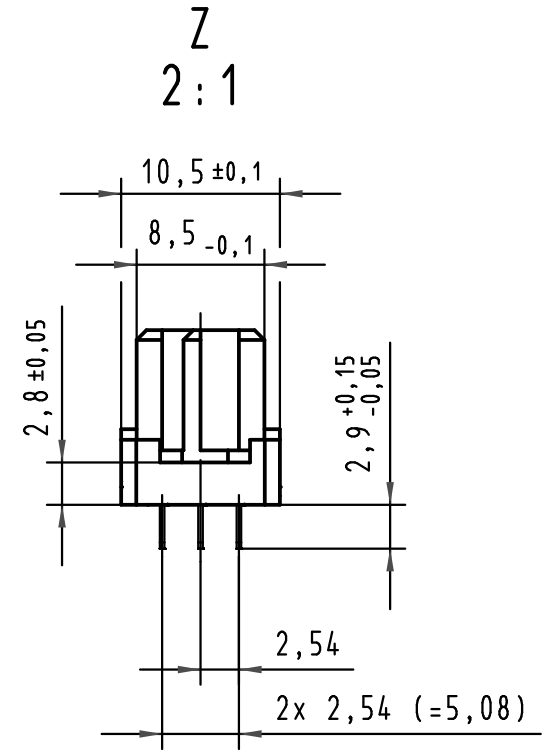
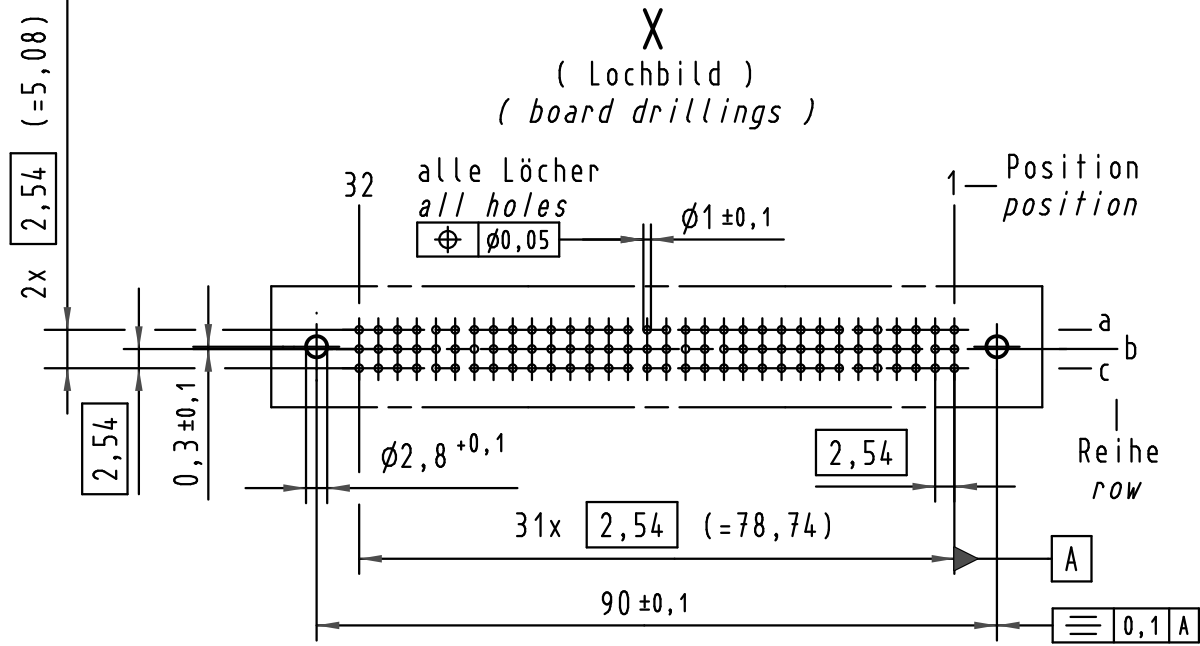
X
Kontaktanordnung
contact arrangement



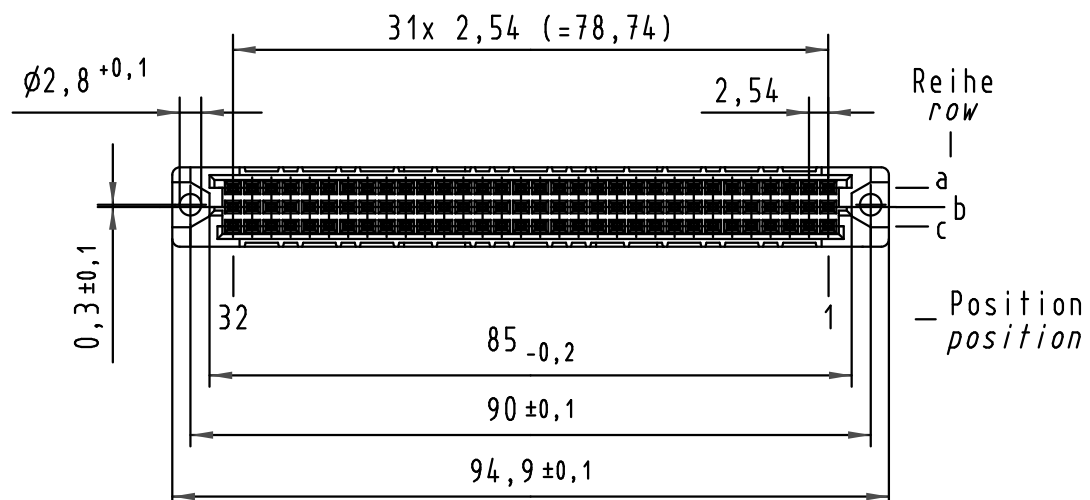
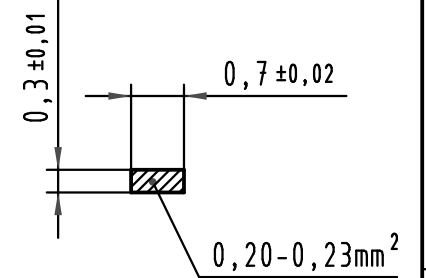
96 Einlöt-Kontakte
96 solder-contacts

- ☒ = Einlöt-Kontakt
= solder-contact
- = kinked Einlöt-Kontakt
= kinked solder-contact
- = Kontaktposition nicht belegt
= position without contact

X
(Lochbild)
(board drillings)



W
10:1
Querschnitt der
Lötanschlüsse:
cross-section of
solder terminations:



09 03 296 <u>7</u> 824	3	Au über/over Ni
09 03 296 <u>6</u> 824	2	Au über/over Ni
09 03 296 <u>2</u> 824	1	Au über/over Ni
Bestell-Nr. part-no.	Anforderungsstufe nach IEC performance level acc.to IEC	Kontaktoberfläche contact plating

All Dimensions in mm Original Size DIN A 3	Techn. Character.			Nicht tolerierte Maßel/Free size tolerances	
	IEC 60603-2			IEC 60603-2	
	Dat.	Name	Maßstab/Scale	har-bus C Federleiste Einlöt 2,9 , 96 pol. har-bus C female connector solder 2,9 , 96 pol.	
	Detail.	06.09.99 Rie.			
	Insp.	06.09.99 Pa.			
	Stand.				
34158	19.01.07	LehT	HARTING Electronics GmbH & Co. KG		TB 09 03 296 x824 Blatt/ page
30816	21.02.02	Rie.	D-32339 ESPELKAMP		
26083					
Mod.	Dat.	Name			Sub.